

# Water Softener

## Smartflow 125 - Smartflow 250



**Filter-Online**  
Nordic Filtration Solution



### Flow Controlled Regeneration

Our water softener are designed to ensure the reliability of soft water in households, with low salt alarm. The flow controlled regeneration ensures water usage only when necessary - lowering water usage and expenses.

### Lots of savings

A softener is often called “the self-paying device”. You will find that your savings on soaps, detergents, cleaning aids and personal care products help your family's household budget. And if you put a price on your time, you will be most satisfied with the time your new family servant saves.

### TECHNICAL DATA

#### Common Data

- Bypass ¾"
- 2 Connection pipes 1m, ¾"
- Overfloat protection
- Digital Display
- Operating Temp.: 3°C - 40°C
- Power req.: 230v/12v
- Low Salt Alarm
- Soft Close Cover
- Max. Pressure: 10bar

#### Smartflow 125

- 29 x 48 x 67 cm (WxDxH)
- 11L Resin
- Salt Capacity: 35kg (Crystal Salt)
- Fits Household with 1-5 people
- Weight: 25kg

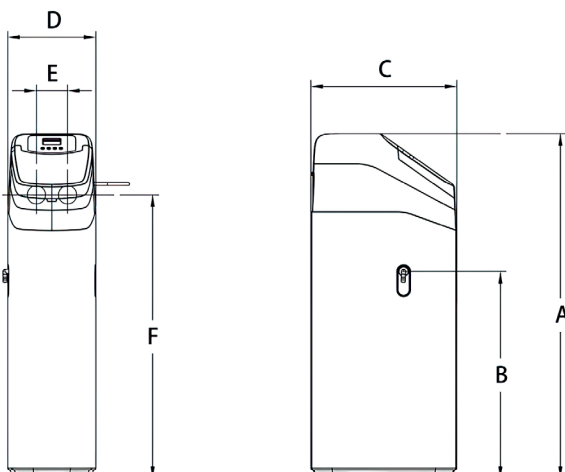
#### Smartflow 250

- 29 x 48 x 113 cm (WxDxH)
- 22L Resin
- Salt Capacity: 75kg (Crystal Salt)
- Fits Household with 6-8 people
- Weight: 40kg

#### Type Approval:

Drikkevandsgodkent

† C 900037



Dimension (mm)	Smartflow 125	Smartflow 250
A	675 (±3)	1134 (±3)
B	350 (±2)	680 (±2)
C	480 (±2)	480 (±2)
D	290 (±2)	290 (±2)
E	50,8 (±0,5)	50,8 (±0,5)
F	471 (±3)	931 (±3)